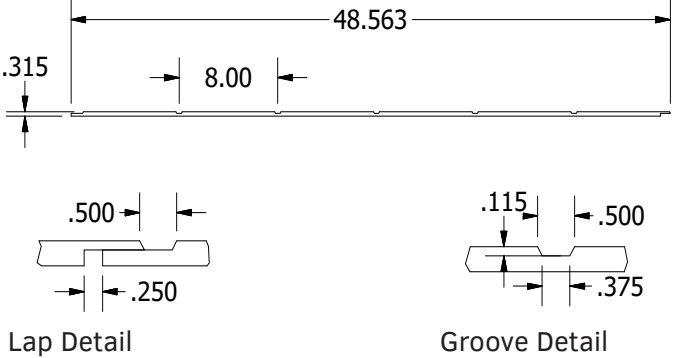
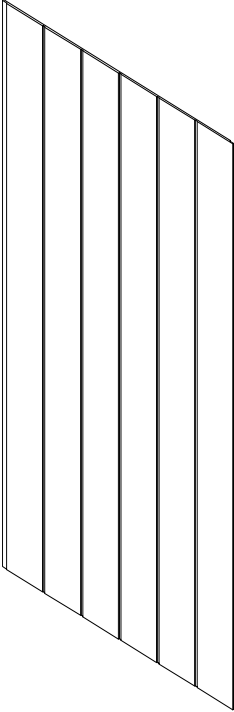


SIDING

4X9 8" OC GROOVED PANEL - 3/8"

<p>PART DESCRIPTION: 4X9 3/8" 8" OC Smart Pan Cedar FUNCTION: Exterior Siding; Or Interior Accent Panel</p>		
<p>KEY DIMENSIONS: Exposure: 48" Overlap: 0.563" Pieces per square: 2.77 Length: 108" Width: 48.563" Height: N/A Min. Thickness: 0.315"</p>	<p>CONSTRUCTION: Substrate: Strand LP[®] SmartSide[®] Finish: Diamond Kote[®] Other: N/A</p>	
	<p>WEIGHT: Per Piece: 46.64 lbs. Per Bundle: N/A Per Pallet: 1856.6 lbs.</p>	<p>PACKAGING: Per Bundle: 1 Each Per Pallet: 45</p>
<p>FEATURES: Shiplap edge makes the product easier to level and apply; LP[®] SmartGuard[®] Process SUBSTRATE WARRANTY: LP[®] SmartSide[®] 5/50-Year Limited Warranty FINISH WARRANTY: Diamond Kote[®] 30-Year No Fade Limited Warranty NOTES:</p>		
<p>ALL SIZES AND PRODUCT DESCRIPTIONS ARE LISTED AS NOMINAL DIMENSIONS. REFER TO PRODUCT DRAWINGS FOR ACTUAL DIMENSIONS.</p>		
<div style="display: flex; justify-content: space-around; align-items: center;">   </div>		